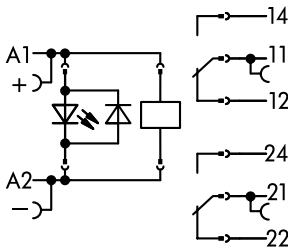
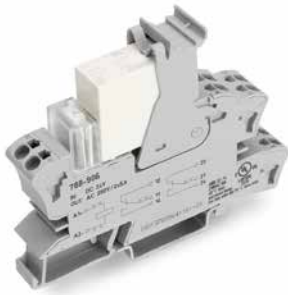


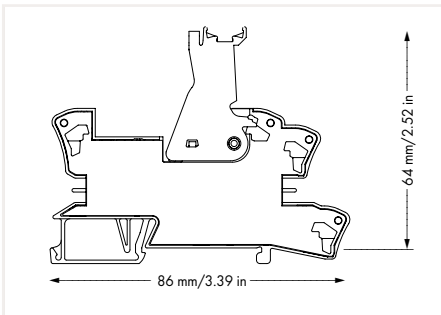
Relay Module

788 Series



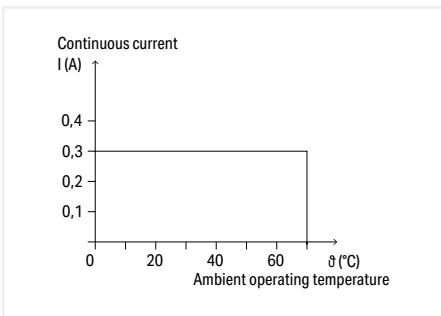
Relay Module; with force-guided contacts; 2 change-over contacts; Limiting continuous current: 0.3 A; with gold contacts; Status indicator: green; 15 mm wide

U_N	I_N	Item No.	Pack. Unit
24 VDC	30 mA	788-906	10



Note:

- Reinforced insulation between coil and contacts
- A separator plate (e.g., 209-191) must be used for voltages greater than 250 V between adjacent relay modules and for compliance with the reinforced insulation requirements.
- To protect the relay coils and contacts, inductive loads must be dampened with an effective protection circuit.



Current-Carrying Capacity Curve

Control Circuit	
Input voltage range	-15 ... +10 %

Load Circuit	
Number of changeover/switchover contacts	2
Contact material	AgNi + Au
Limiting continuous current	0.3 A
Switching voltage (max.)	60 VAC
Switching power (resistive) max.	18 VA (AC)
Recommended minimum load	0.1 V / 1 mA / 1 mW
Pull-in time (typ.)	15 ms
Drop-out time (typ.)	12 ms
Electrical life (NO; resistive load; 23 °C)	200 x 10 ³ switching operations
Mechanical life	50 x 10 ⁶ switching operations
Switching load with/without load (max.)	6 min ⁻¹ / 600 min ⁻¹
Mechanical force-guided operation	Type A
Type of basic relay	Dold OA 5669

Signaling	
Status indicator	Green LED

Safety and Protection	
Rated voltage	250 V
Rated surge voltage	4 kV
Pollution degree	2
Dielectric strength, control/load circuit (AC, 1 min)	4 kV _{rms}
Dielectric strength, open contact (AC, 1 min)	1.5 kV _{rms}
Dielectric strength, load/load circuit (AC, 1 min)	2.5 kV _{rms}
Protection type	IP20

Connection Data	
Connection technology	Push-in CAGE CLAMP®
Solid conductor	0.34 ... 2.5 mm ² / 22 ... 14 AWG
Fine-stranded conductor	0.34 ... 2.5 mm ² / 22 ... 14 AWG
Strip length	9 ... 10 mm / 0.35 ... 0.39 inch

Physical Data	
Width	15 mm / 0.591 inch
Height from upper-edge of DIN-rail	64 mm / 2.52 inch
Depth	86 mm / 3.386 inch

Mechanical Data	
Mounting type	DIN-35 rail

Material Data	
Weight	50 g

Environmental Requirements	
Surrounding air temperature (operation at U_N)	-40 ... +70 °C
Surrounding air temperature (storage)	-40 ... +70 °C
Processing temperature	-25 ... +50 °C

Standards and Specifications	
Standards/specifications	EN 61010-2-201, EN 61810-3; UL 508 (max. 40 °C)